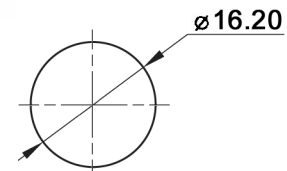


x	Wire length
(empty)	300 mm
-150	150 mm

PANEL CUT-OUT



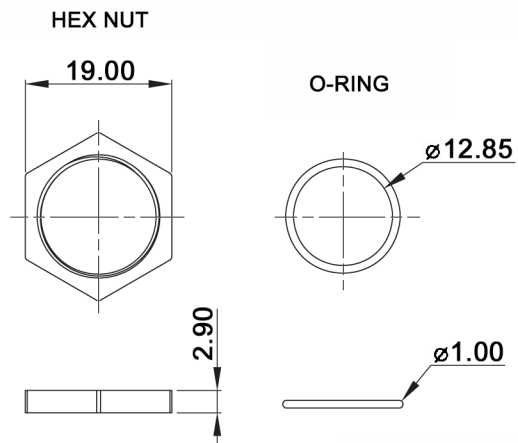
THICKNESS: 8.0 mm max.

Specifications:

Contact rating: 1 A, 5-24 V AC/DC (pulse mode)
 Contact resistance: 1 Ohm max.
 Pulse duration: 200ms min.
 Operating temperature: -20°C to +65°C
 Mechanical life: 50 000 000 cycles min.
 Material: Bushing: aluminum alloy
 Sealing: silicone, epoxy
 O-ring: silicone
 Hex nut: brass, nickel plated

Compliance: RohS III (2015/863/EU)

HARDWARE



Tolerances: 0.00: ±0.25 mm 0.0: ±0.40 mm		Date	Name
		09/21	dr
Modifications	Date	Name	

PBP 16 ANHx

knitter-switch

30 47 02

Page

1/1